

RIGHT POLARIZING BACKPLANE MODULE
ASSEMBLY PART NUMBER ASSIGNMENT

325 - X 0 XX - X X X

6 = STANDARD LOADED
7 = CUSTOM LOADED
8 = CUSTOM LEAD FREE

LOAD

MINIMUM PIN WIPE LENGTH, SEE DETAIL U
3 = 1.00 mm WIPE
4 = 2.00 mm WIPE
5 = 3.00 mm WIPE

NUMBER OF COLUMNS
10 = 10 COLUMN MODULE
25 = 25 COLUMN MODULE

PLATING CODE ④
0 = 735
1 = 732
2 = 769
3 = 768

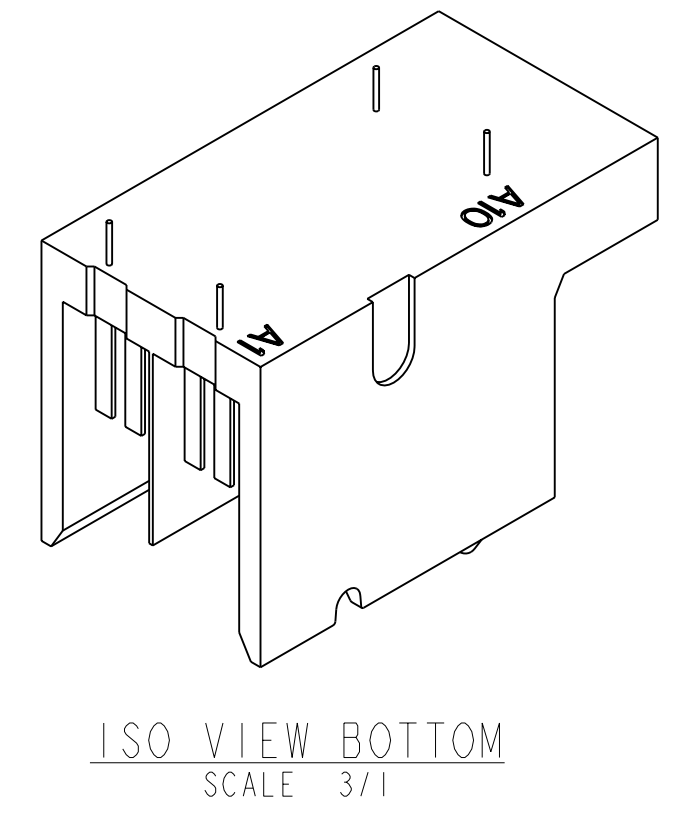
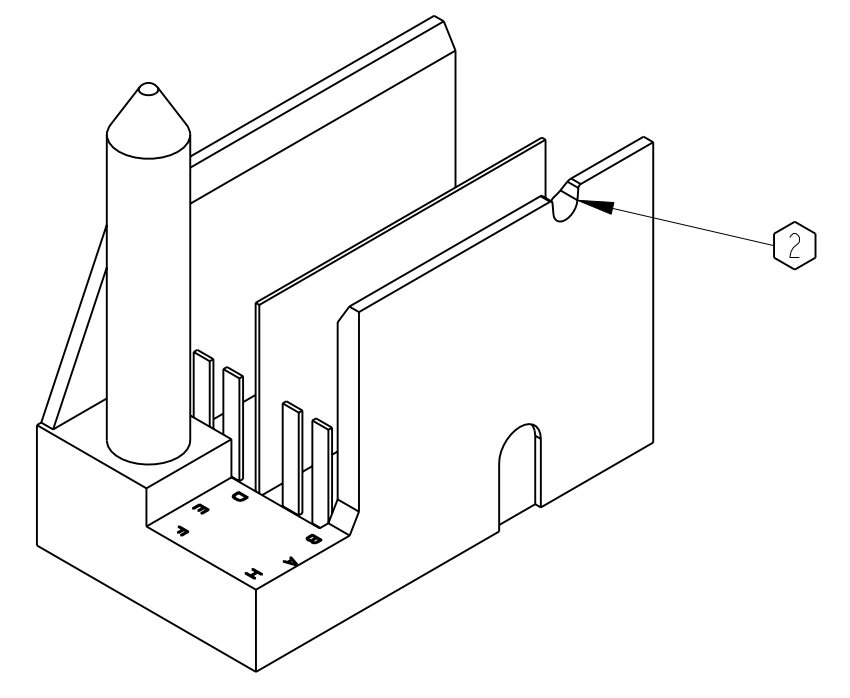
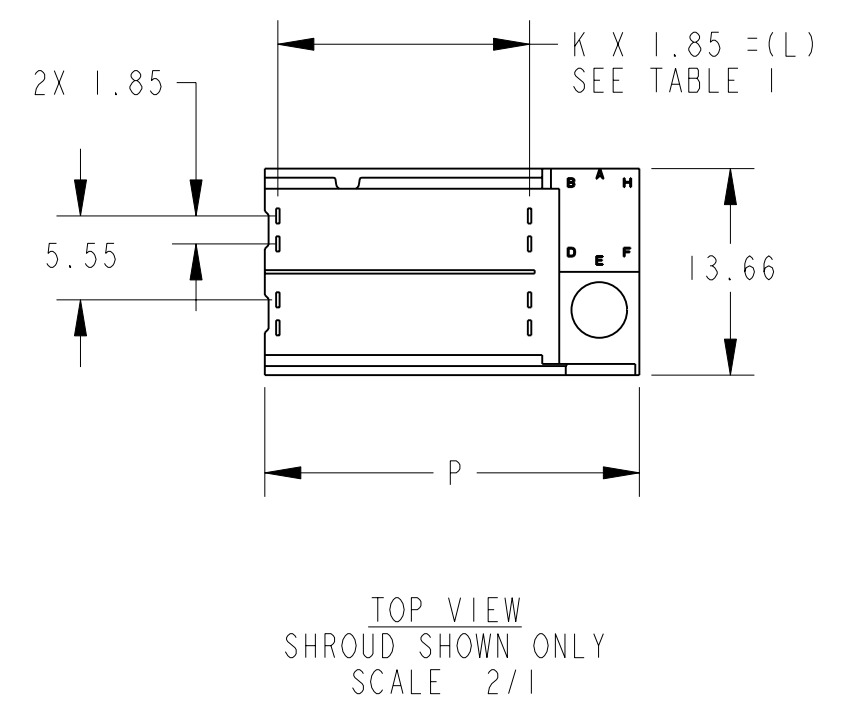
POLARIZATION-SEE TABLE II

TABLE I

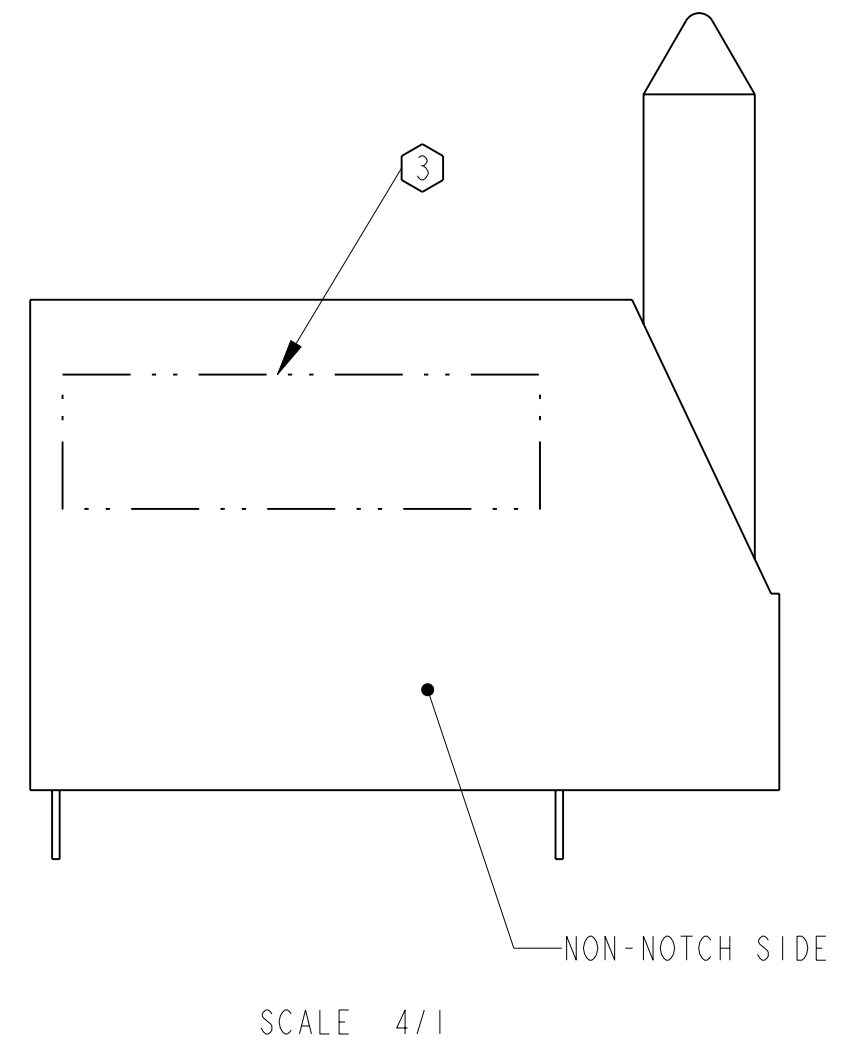
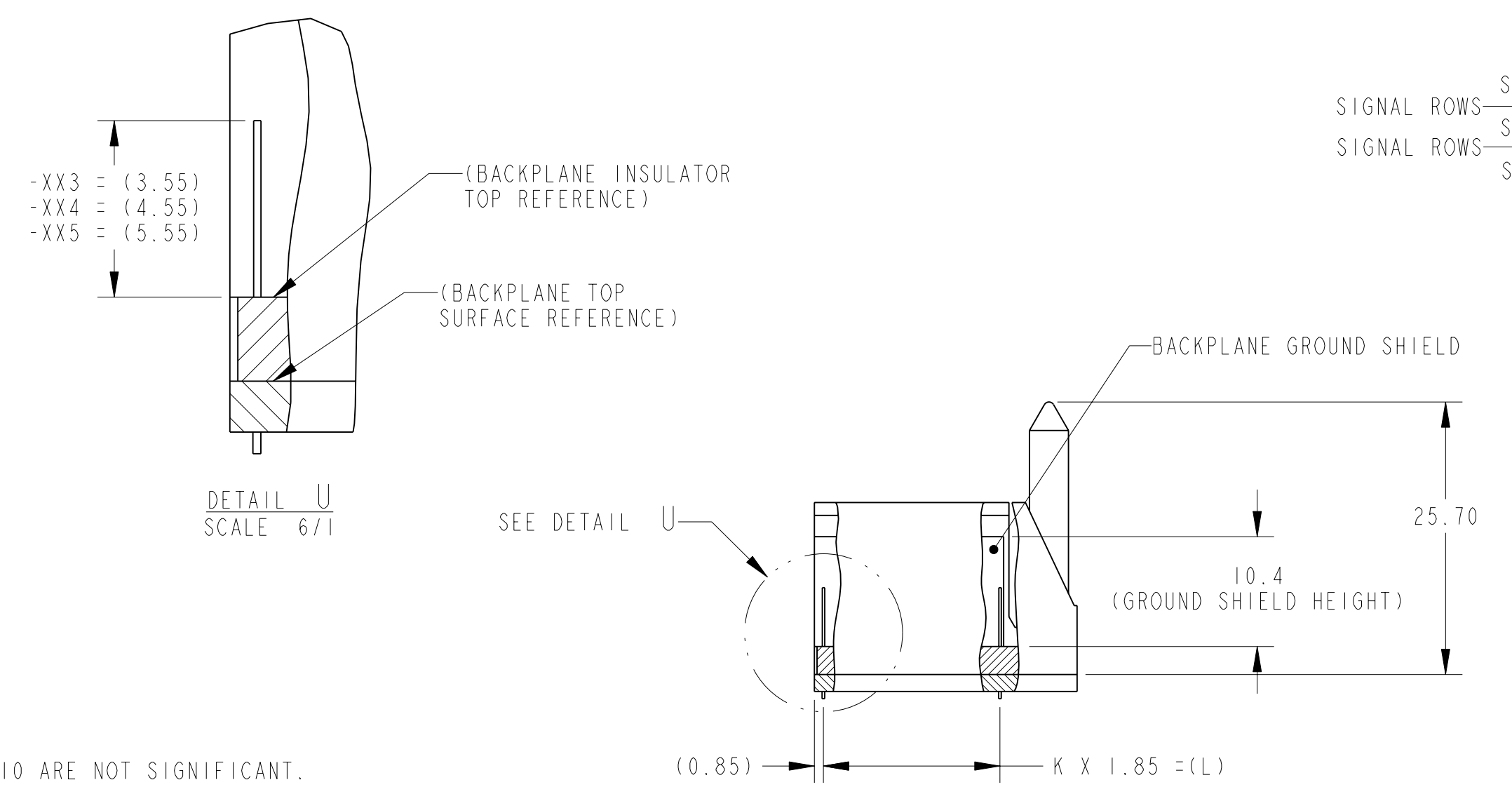
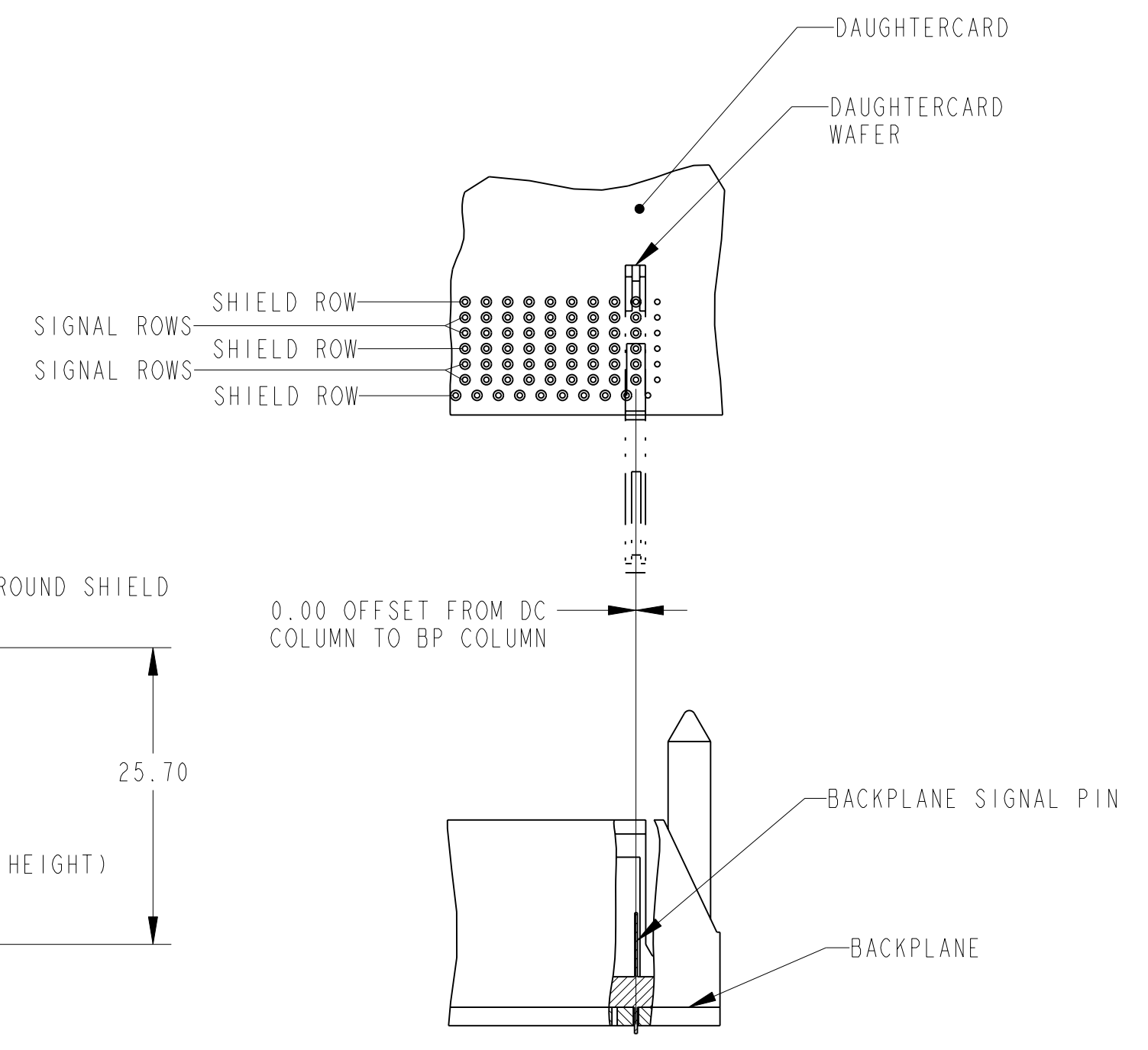
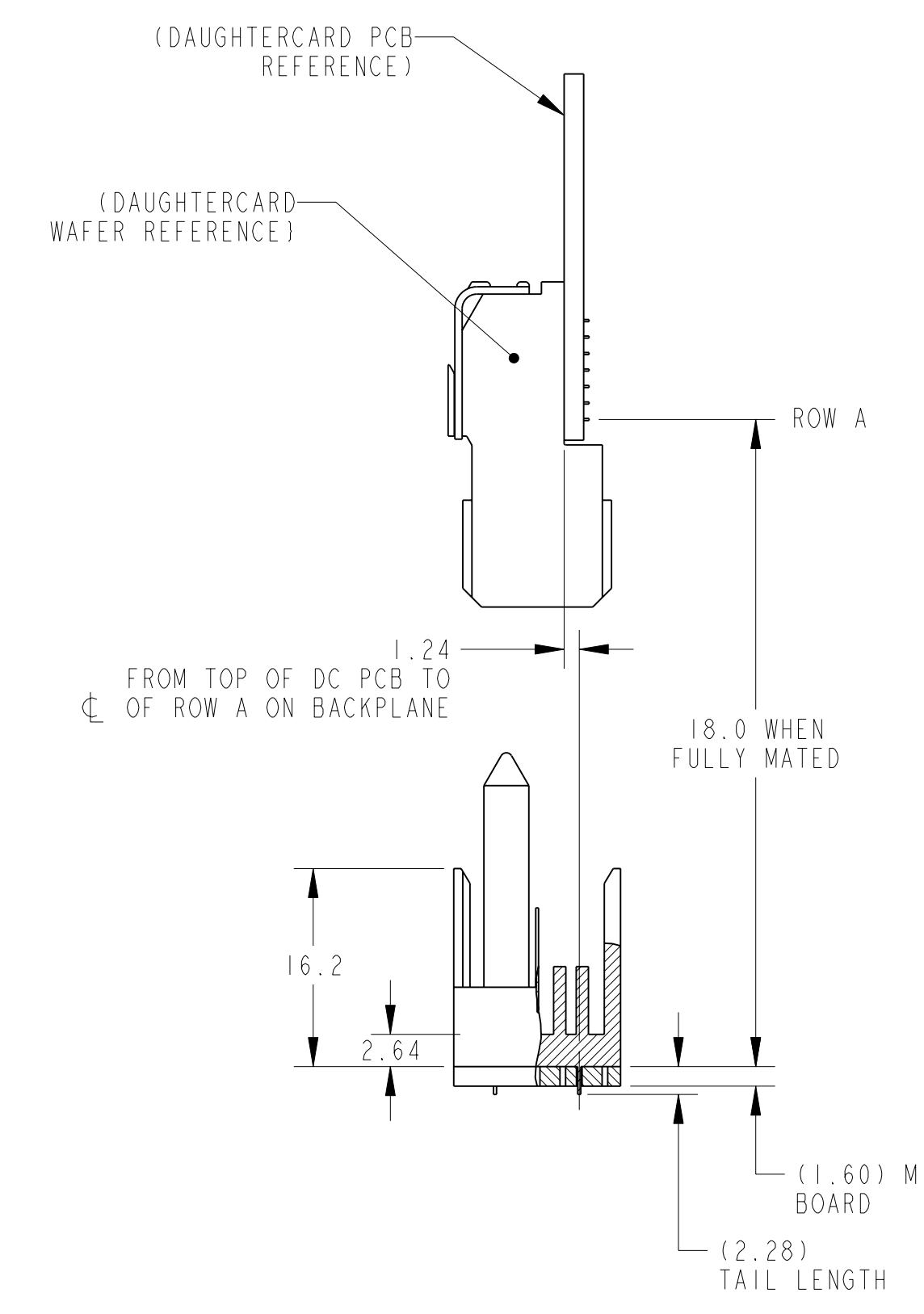
ASSEMBLY PART NUMBER	REV	K	(L)	P	TOTAL NUMBER OF DIFFERENTIAL PAIRS
325-6010-0XX	-	9	(16.65)	18.35	20
325-6025-0XX	-	24	(44.40)	46.10	50

TABLE II

PART NUMBER 325-60XX-(XXX)	-0XX	-AXX	-BXX	-CXX	-DXX	-EXX	-FXX	-GXX	-HXX
POLARIZING PIN ORIENTATION									



INITIAL ENGAGEMENT



- ⑦ IF 4TH DIGIT OF ASSEMBLY P/N IS 7 OR 8, DIGITS 5 THROUGH 10 ARE NOT SIGNIFICANT.
6. USE MATING GAUGE PART NUMBER 699-XXXX-000 AFTER INSERTION ONTO BOARD TO CHECK POSITION OF BLADES.
5. FOR REPAIR PROCEDURE FOR SIGNAL BLADE, SEE TB-2099.
- ④ PLATING THICKNESS OF SIGNAL CONTACT AND SHIELD CONTACTS IS DETERMINED BY PLATING CODE:
0 = 735 PER EGS-205 (30 MICROINCH GOLD PLATING ON MATING SURFACES).
1 = 732 PER EGS-205 (50 MICROINCH GOLD PLATING ON MATING SURFACES).
2 = 769 PER EGS-205 (30 MICROINCH GOLD ... LEAD FREE COMPLIANT)
3 = 768 PER EGS-205 (50 MICROINCH GOLD ... LEAD FREE COMPLIANT)
- ③ PART MARKING AS FOLLOWS:
LINE 1: "TCS" AND DATECODE (TCS YYWW).
LINE 2: MODULE PART NUMBER (325-####-###).
LINE 3: WORK ORDER NUMBER (#####), WHERE "*" DENOTES MANUFACTURING LOCATION.
- ② NOTCH DESIGNATES "ROW A" SIDE OF SHROUD. NOTCH FEATURE ON OPPOSITE SIDE FROM PART MARKING.
1. REFER TO TB-2085 FOR GbX PRODUCT SPECIFICATIONS.

TOLERANCES	DESIGN 06/17/2004 M.DEROSA	Amphenol TCS A Division of Amphenol Corporation 44 Simon Street, Nashua, NH, 03060 603.879.3000	TITLE	RIGHT POLARIZING BACKPLANE MODULE	
0.0 ±0.25	DRAWN 06/17/2004 M.DEROSA		2 PAIR GbX		
0.00 ±0.13	CHK 06/17/2004 J.DUNHAM		PART NO.	SEE TABLE I	
0.000 ±	APVD 06/17/2004 J.DUNHAM		DRAWING NO.	C-325-6010-500	
ANGLES ±		UNLESS OTHERWISE SPECIFIED DIMENSIONS ARE IN MM, DECIMAL MAKER IS PERIOD	PROE ASSEM S1-P1034-CU-RTPOL-25 P1034-CU-BP-RTPOL.dwg	1.7 1.8	
			SIZE D	SCALE 2/1	SHEET 1 OF 2

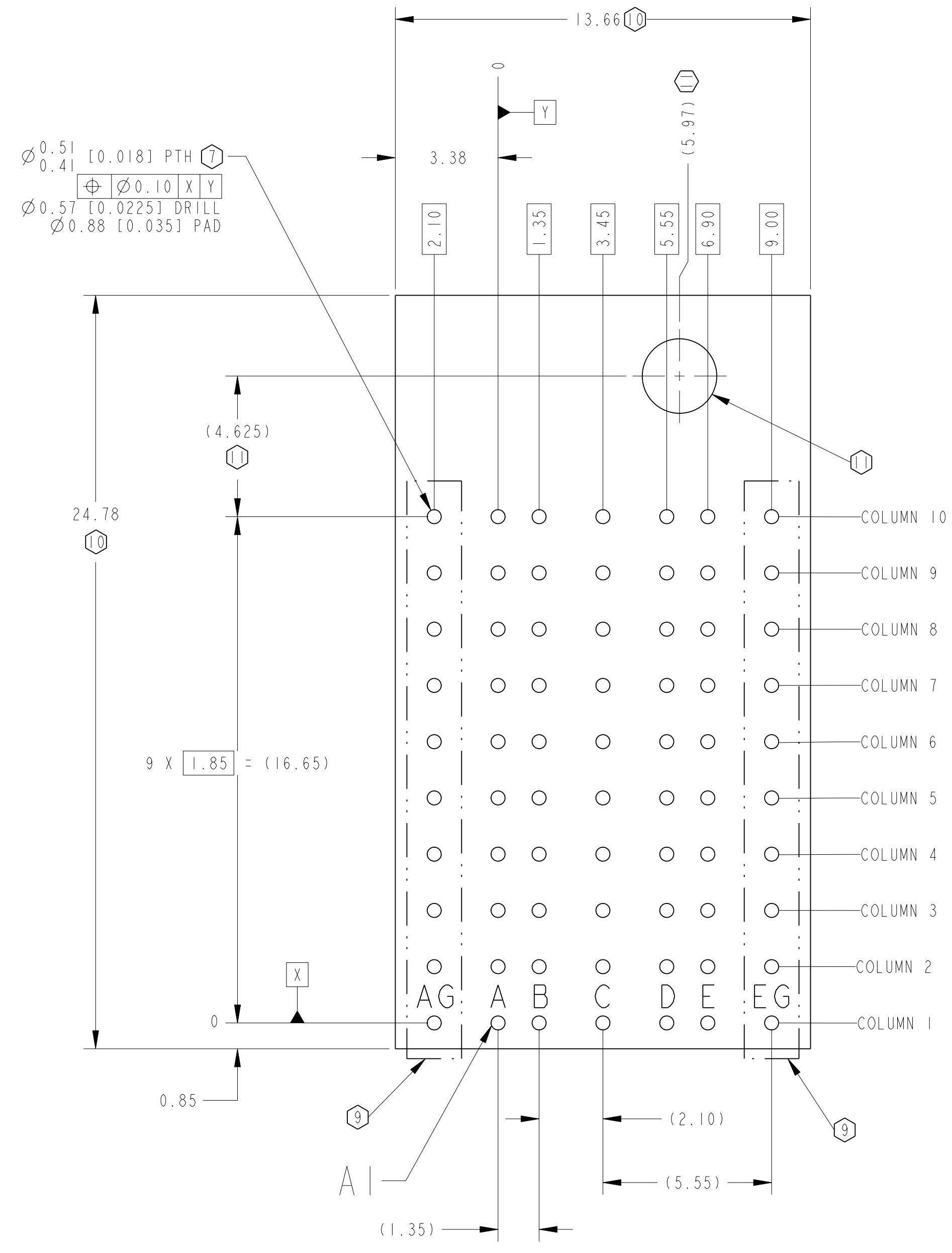
INTERPRET PER ASME Y14.5M
CODE IDENT 31413

CUSTOMER USE
DRAWING

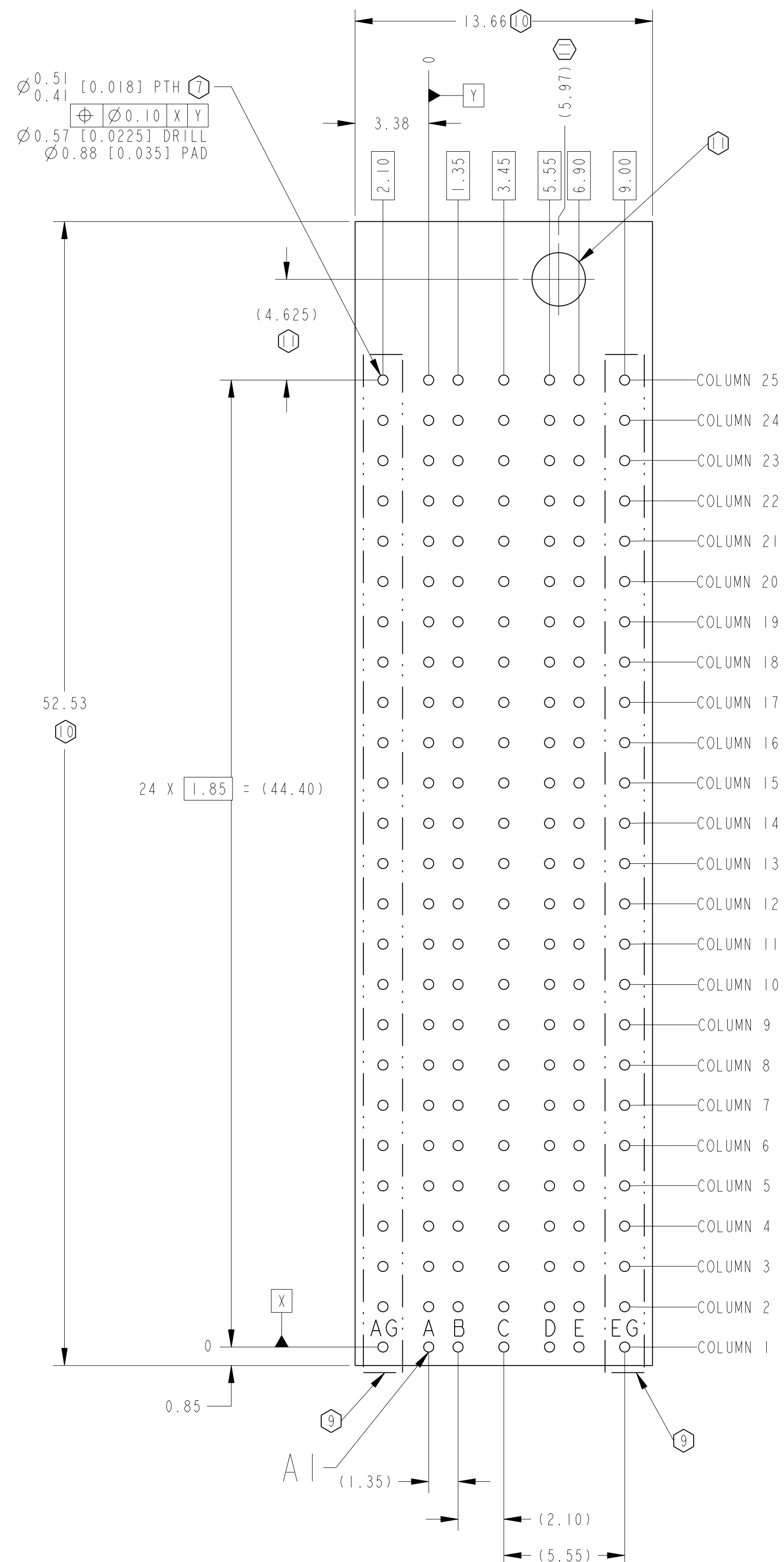
DRW NO. C-325-6010-500

SH 1
REV -

ZONE	REV	SCR NUMBER	DESCRIPTION	BY	DATE	APPROVED
			SEE SHEET 1			



10 POSITION GbX BACKPLANE HOLE PATTERN
COMPONENT SIDE SHOWN
SCALE 8/1

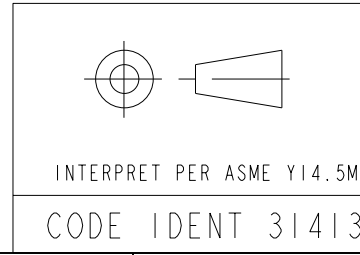


25 POSITION GbX BACKPLANE HOLE PATTERN
COMPONENT SIDE SHOWN
SCALE 6/1

- ① OPTIONAL HOLE LOCATION FOR GROUNDED PIN OR ADDITIONAL GUIDE PIN SUPPORT. SEE DRAWING C-564-0471-000 FOR DETAIL AND LOCATION. FOR DC BOARD WEIGHT > 8 LBS., REFER TO TB-2104 FOR PROPER GUIDE PIN SIZING.
- ② SEE DOCUMENT 190-0002-000 FOR TOOLING KEEPOUT ZONES.
- ③ ADDITIONAL ROWS AG AND EG RECOMMENDED FOR ALL APPLICATIONS. (THESE ROWS SHOULD BE CONNECTED TO GROUND.)
- 8 REMOVED
- ⑦ STATED PAD SIZE MAY REQUIRE FILLETING. FOR DETAILED ROUTING GUIDELINES, SEE TB-2090.

NOTES:

TOLERANCES		DESIGN 06/17/2004 M. DEROSA	Amphenol TCS A Division of Amphenol Corporation 44 Simon Street, Nashua, NH, 03060 603.879.3000	TITLE RIGHT POLARIZING BACKPLANE MODULE 2 PAIR GbX	
0.0	±0.25	DRAWN 06/17/2004 M. DEROSA		PART NO.	SEE TABLE 1
0.00	±0.13	CHK 06/17/2004 J. DUNHAM		DRAWING NO.	C-325-6010-500
0.000	± -	APVD 06/17/2004 J. DUNHAM		ProE ASSEM S1-P1034-CU-RTPOL-25 P1034-CU-BP-RTPOL.dwg	1.7 1.8
ANGLES ± -		UNLESS OTHERWISE SPECIFIED DIMENSIONS ARE IN MM. DECIMAL MAKER IS PERIOD		SIZE D	SCALE 2/1
		CUSTOMER USE DRAWING		SHEET 2 OF 2	



DRW NO. C-325-6010-500 SH 2 REV -